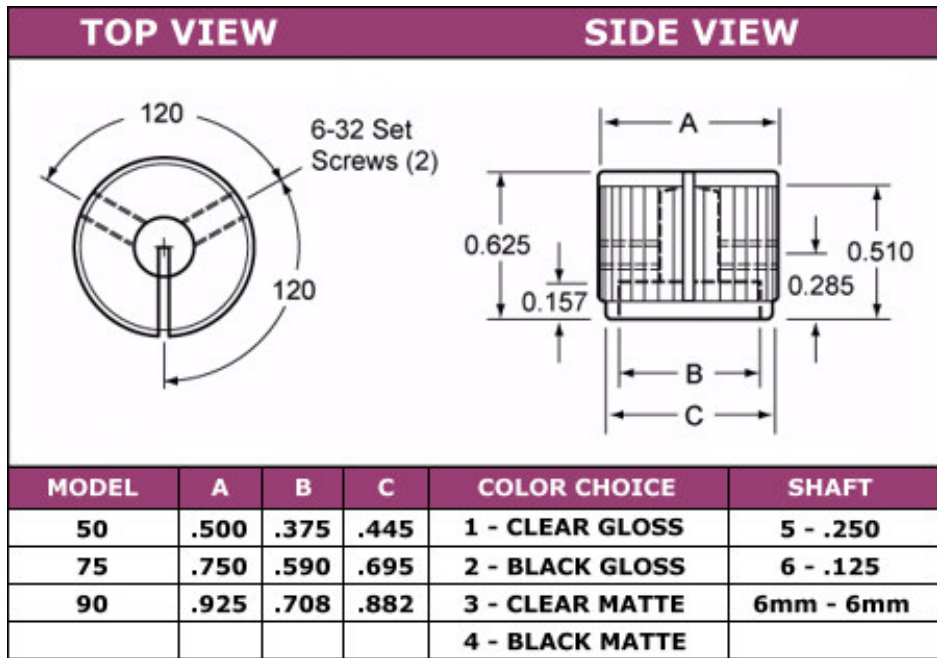


Mechanical Specifications: **JD SERIES**



JD90 - Black Gloss, JD75 - Black Matte & Clear Gloss, JD50 - Clear Matte

JD Series: The "JD Series" knob is simple, yet very traditional in appearance and feel. The look of this knob is long established and well respected. Saw cut indicator line is on half of the top and full-length of the side. Two 6-32 set screws.



contact:



1952 Ironton Blvd
Provo, UT 84606
USA

TEL 801.377.5530
FAX 801.377.5573